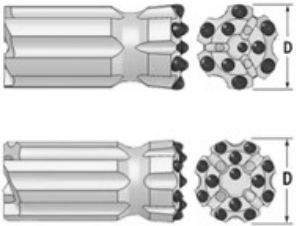
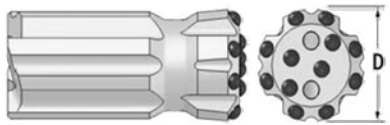
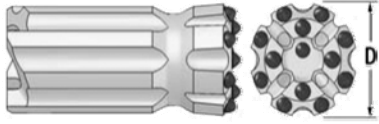


# RETRAC BUTTON BIT – 易返式球齿钎头

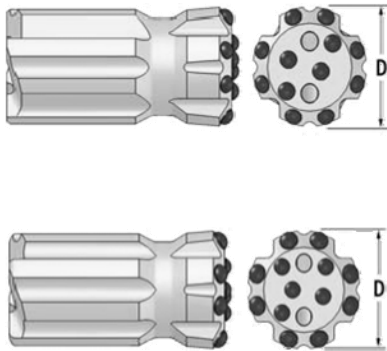
Drill bit 钎头	Diameter 直径		No×button diameter 合金数量×直径			Flushing hole 水孔		Weight (kg) 重量	P/N 型号
	mm 毫米	Foot 英尺	Front 中齿	Gauge 边齿	Angle 倾角	Front 正	Side 侧		
柱齿易返钎头 Retrac button bit  	圆齿 Spherical buttons								
	45	1 3/4	3×8	6×9	40°	3×4.5	-	1.1	QY945-R32-A
	48	1 7/8	3×9	6×10	30°	3×5	-	1.2	QY948-R32-A
	51	2	3×9	6×10	30°	3×6	-	1.4	QY951-R32-A
	64	2 1/2	3×10, 1×10	6×11	35°	3×7	-	2.2	QYA1064-R32-A
	64	2 1/2	4×10	8×10	40°	2×9	-	2.2	QY1264-R32-A
	76	3	4×11, 1×11	8×11	35°	4	1	3.5	QYA1276-R32-A
	抛物线齿 Ballistic buttons								
	45	1 3/4	3×8	6×9	40°	3×4.5	-	1.1	QY945-R32-I
	48	1 7/8	3×9	6×10	30°	3×5	-	1.2	QY948-R32-I
	51	2	3×9	6×10	30°	3×6	-	1.4	QY951-R32-I
	64	2 1/2	3×10, 1×10	6×11	35°	3×7	-	2.2	QYA1064-R32-I
	64	2 1/2	4×10	8×10	40°	2×9	-	2.2	QY1264-R32-I
	76	3	4×11, 1×11	8×11	35°	4	1	3.5	QYA1276-R32-I

Drill bit 钎头	圆齿 Spherical buttons								
	Diameter	No	button diameter	Gauge	Angle	Flushing hole	Weight	P/N	
柱齿易返钎头 Retrac button bit  	48	1 7/8	3×9	6×10	30°	3×5	-	1.2	QY948-R32-A
	51	2	3×9	6×10	30°	3×6	-	1.4	QY951-R32-A
	51	2	3×10	6×11	30°	3×6	-	1.4	QY951-R32A-A
	64	2 1/2	3×10, 1×10	6×11	35°	3×7	-	2.2	QYA1064-R32-A
	64	2 1/2	4×10	8×10	40°	2×9	-	2.2	QY1264-R32-A
	76	3	4×11, 1×11	8×11	35°	4	1	3.5	QYA1276-R32-A
	抛物线齿 Ballistic buttons								

	48	1 7/8	3×9	6×10	30°	3×5	-	1.2	QY948-R32-I
	51	2	3×9	6×10	30°	3×6	-	1.4	QY951-R32-I
	51	2	3×10	6×11	30°	3×6	-	1.4	QY951-R32A-I
	64	2 1/2	3×10, 1×10	6×11	35°	3×7	-	2.2	QYA1064-R32-I
	64	2 1/2	4×10	8×10	40°	2×9	-	2.2	QY1264-R32-I
	76	3	4×11, 1×11	8×11	35°	4	1	3.5	QYA1276-R32-I

柱齿易返钎头

Retrac button bit

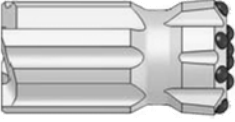
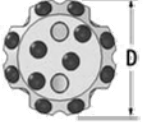
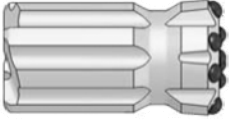
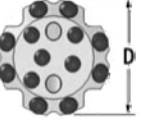
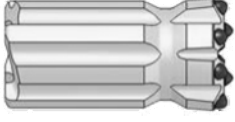
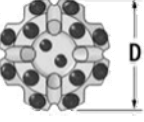
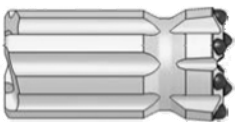
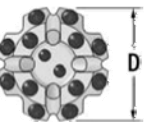


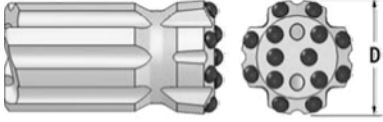
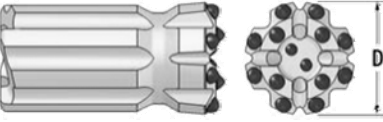
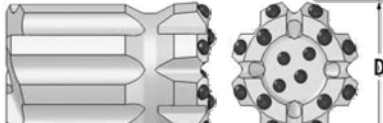
圆齿 Spherical buttons

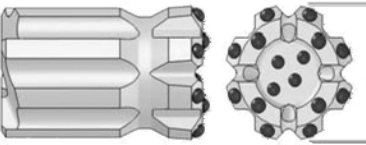
64	2 1/2	4×10	8×10	30°	2×11	-	2.2	QY1264-T38-A
64	2 1/2	3×10, 1×10	6×11	35°	3×8	-	2.6	QYA1064-T38-A
70	2 3/4	4×11	8×11	40°	2×11	-	2.4	QY1270-T38-A
70	2 3/4	6×10	8×10	35°	2×11	-	2.4	QY1470-T38-A
70	2 3/4	3×10, 1×10	6×12	35°	3×8	-	2.4	QYA1070-T38-A
76	3	4×11	8×11	40°	2×11	-	3.0	QY1276-T38-A
76	3	4×11	8×12	35°	2×11	-	3.0	QY1276-T38A-A
76	3	4×11, 1×11	8×11	35°	4	1	3.3	QYA1376-T38-A
76	3	3×12, 1×9	6×14	35°	3	1	3.3	QYA1076-T38-A
89	3 1/2	4×13	8×13	40°	2	-	4.8	QY1289-T38-A
89	3 1/2	5×13	8×13	40°	2×12	-	4.8	QY1389-T38-A
89	3 1/2	6×12	8×12	35°	2×12	-	4.8	QY1489-T38-A
89	3 1/2	6×12	8×13	35°	2×12	-	4.8	QY1489-T38A-A
89	3 1/2	4×11, 2×9	8×11	35°	4	1	4.8	QYA1489-T38-A
89	3 1/2	4×12, 2×10	8×12	35°	4	1	4.8	QYA1489-T38A-A

抛物线齿 Ballistic buttons

64	2 1/2	4×10	8×10	30°	2×11	-	2.2	QY1264-T38-I
64	2 1/2	3×10, 1×10	6×11	35°	3×8	-	2.6	QYA1064-T38-I
70	2 3/4	4×11	8×11	40°	2×11	-	2.4	QY1270-T38-I
70	2 3/4	6×10	8×10	35°	2×11	-	2.4	QY1470-T38-I
70	2 3/4	3×10, 1×10	6×12	35°	3×8	-	2.4	QYA1070-T38-I
76	3	4×11	8×11	40°	2×11	-	3.0	QY1276-T38-I
76	3	4×11	8×12	35°	2×11	-	3.0	QY1276-T38A-I
76	3	4×11, 1×11	8×11	35°	4	1	3.3	QYA1376-T38-I
76	3	3×12, 1×9	6×14	35°	3	1	3.3	QYA1076-T38-I
89	3 1/2	4×13	8×13	40°	2	-	4.8	QY1289-T38-I
89	3 1/2	5×13	8×13	40°	2×12	-	4.8	QY1389-T38-I
89	3 1/2	6×12	8×12	35°	2×12	-	4.8	QY1489-T38-I
89	3 1/2	6×12	8×13	35°	2×12	-	4.8	QY1489-T38A-I
89	3 1/2	4×11, 2×9	8×11	35°	4	1	4.8	QYA1489-T38-I

柱齿易返钎头 Retrac button bit		圆齿 Spherical buttons								
				70	2 3/4	4×10	8×10	30°	2	2
		70	2 3/4	4×10, 1×10	8×10	35°	4×7	-	2.4	QYA1370-T45-A
		76	3	4×11	8×11	40°	2×12	-	3.1	QY1276-T45-A
		76	3	5×11	8×12	35°	2	1	3.2	QY1376-T45-A
		76	3	5×11	8×13	35°	2	1	3.2	QY1376-T45A-A
		76	3	6×10	8×11	35°	2×12	-	3.2	QY1476-T45-A
		76	3	4×11, 1×11	8×11	35°	4	1	3.2	QYA1376-T45-A
		76	3	4×11, 1×11	8×13	35°	4	1	3.1	QYA1376-T45A-A
		76	3	4×10, 2×10	8×11	30°	4×7	-	3.1	QYA1476-T45-A
		89	3 1/2	4×13	8×13	40°	2×13	-	5.3	QY1289-T45-A
		89	3 1/2	6×12	8×12	30°	2	2	5.3	QY1489-T45-A
		89	3 1/2	6×13	8×13	35°	2×13	-	4.6	QY1489-T45A-A
		89	3 1/2	6×12	8×14	30°	2	2	5.3	QY1489-T45B-A
		89	3 1/2	4×11, 1×11	8×13	35°	4×8	-	5.4	QYA1389-T45-A
		89	3 1/2	4×11, 2×11	8×12	35°	4×8	-	5.4	QYA1489-T45-A
		89	3 1/2	4×12, 2×10	8×12	35°	4	1	5.4	QYA1489-T45A-A
		102	4	4×12, 2×10	8×14	35°	4	1	6.8	QYA14102-T45-A
		102	4	4×13, 2×13	8×13	35°	4	1	6.8	QYA14102-T45A-A
		抛物线齿 Ballistic buttons								
		70	2 3/4	4×10	8×10	30°	2	2	2.5	QY1270-T45-I
		70	2 3/4	4×10, 1×10	8×10	35°	4×7	-	2.4	QYA1370-T45-I
		76	3	4×11	8×11	40°	2×12	-	3.1	QY1276-T45-I
		76	3	5×11	8×12	35°	2	1	3.2	QY1376-T45-I
		76	3	5×11	8×13	35°	2	1	3.2	QY1376-T45-I
		76	3	6×10	8×11	35°	2×12	-	3.2	QY1476-T45-I
		76	3	4×11, 1×11	8×11	35°	4	1	3.2	QYA1376-T45-I
		76	3	4×11, 1×11	8×13	35°	4	1	3.1	QYA1376-T45A-I
		76	3	4×10, 2×10	8×11	30°	4×7	-	3.1	QYA1476-T45-I
		89	3 1/2	4×13	8×13	40°	2×13	-	5.3	QY1289-T45-I
		89	3 1/2	6×12	8×12	30°	2	2	5.3	QY1489-T45-I
		89	3 1/2	6×13	8×13	35°	2×13	-	4.6	QY1489-T45A-I
		89	3 1/2	6×12	8×14	30°	2	2	5.3	QY1489-T45B-I
		89	3 1/2	4×11, 1×11	8×13	35°	4×8	-	5.4	QYA1389-T45-I
		89	3 1/2	4×11, 2×11	8×12	35°	4×8	-	5.4	QYA1489-T45-I
		89	3 1/2	4×12, 2×10	8×12	35°	4	1	5.4	QYA1489-T45A-I
		102	4	4×12, 2×10	8×14	35°	4	1	6.8	QYA14102-T45-I

柱齿易返钎头 Retrac button bit		圆齿 Spherical buttons								
	89	3 1/2	4×13	8×13	40°	2×13	-	5.3	QY1289-T51-A	
	89	3 1/2	5×13	8×13	35°	2×13	-	5.3	QY1389-T45-A	
	89	3 1/2	6×12	8×12	30°	2×13	-	5.3	QY1489-T51-A	
	89	3 1/2	6×13	8×13	30°	2×13	-	5.3	QY1489-T51A-A	
	89	3 1/2	6×12	8×14	30°	2	1	5.3	QY1489-T51B-A	
	89	3 1/2	6×10	9×11	35°	3×12	-	5.3	QY1589-T51-A	
	89	3 1/2	4×11, 1×11	8×13	35°	4×10	-	5.3	QYA1389-T45-A	
	89	3 1/2	4×11, 2×11	8×12	35°	4×10	-	5.3	QYA1489-T45-A	
	89	3 1/2	4×12, 2×10	8×12	35°	4×10	1	5.3	QYA1489-T45A-A	
	89	3 1/2	4×12, 2×9	8×14	35°	4×10	-	5.3	QYA1489-T45B-A	
		102	4	5×14	8×14	35°	2×14	-	7.3	QY13102-T51-A
		102	4	6×12	8×14	35°	2×14	-	7.3	QY14102-T51-A
		102	4	6×13	8×16	35°	2×14	-	7.3	QY14102-T51A-A
		102	4	6×12	9×12	35°	3×12	-	7.3	QY15102-T51-A
102		4	4×13, 1×13	8×14	35°	4×11	-	7.3	QYA13102-T51-A	
102		4	4×13, 3×13	8×13	35°	4×11	-	7.3	QYA15102-T51-A	
102		4	4×12, 3×11	8×14	35°	4×11	-	7.3	QYA15102-T51A-A	
115		4 1/2	6×14	8×14	35°	2×14	-	9.8	QY14115-T51-A	
115		4 1/2	6×14	8×16	35°	2×14	-	9.8	QY14115-T51A-A	
115		4 1/2	8×12	8×14	35°	2×14	-	9.8	QY16115-T51-A	
115	4 1/2	8×13	9×14	35°	3×12	-	9.8	QY17115-T51-A		
115	4 1/2	9×12	9×13	35°	3×12	-	9.8	Y18115-T51-A		
	115	4 1/2	4×13, 2×13	8×14	35°	4×11	-	9.8	QYA14115-T51-A	
	115	4 1/2	4×14, 2×14	8×16	35°	4×11	-	9.8	QYA14115-T51A-A	
	115	4 1/2	4×13, 3×13	8×14	35°	4×10	-	9.8	QYA15115-T51-A	
	115	4 1/2	4×13, 4×11	8×14	35°	4×11	-	9.8	QYA16115-T51-A	
	127	5	8×14	8×16	40°	2	-	12.5	QY16127-T51-A	
	127	5	4×14, 4×12	8×14	35°	4×10	1	12.0	QYA16127-T51-A	
	127	5	4×16, 2×13	8×16	35°	4×10	-	12.0	QYA14127-T51-A	
抛物线齿 Ballistic buttons										

	89	3 1/2	4×13	8×13	40°	2×13	-	5.3	QY1289-T51-I
	89	3 1/2	5×13	8×13	35°	2×13	-	5.3	QY1389-T45-I
	89	3 1/2	6×12	8×12	30°	2×13	-	5.3	QY1489-T51-I
	89	3 1/2	6×13	8×13	30°	2×13	-	5.3	QY1489-T51A-I
	89	3 1/2	6×12	8×14	30°	2	1	5.3	QY1489-T51B-I
	89	3 1/2	6×10	9×11	35°	3×12	-	5.3	QY1589-T51-I
	89	3 1/2	4×11, 1×11	8×13	35°	4×10	-	5.3	QYA1389-T45-I
	89	3 1/2	4×11, 2×11	8×12	35°	4×10	-	5.3	QYA1489-T45-I
	89	3 1/2	4×12, 2×10	8×12	35°	4×10	1	5.3	QYA1489-T45A-I
	89	3 1/2	4×12, 2×9	8×14	35°	4×10	-	5.3	QYA1489-T45B-I
	102	4	5×14	8×14	35°	2×14	-	7.3	QY13102-T51-I
	102	4	6×12	8×14	35°	2×14	-	7.3	QY14102-T51-I
	102	4	6×13	8×16	35°	2×14	-	7.3	QY14102-T51A-I
	102	4	6×12	9×12	35°	3×12	-	7.3	QY15102-T51-I
	102	4	4×13, 1×13	8×14	35°	4×11	-	7.3	QYA13102-T51-I
	102	4	4×13, 3×13	8×13	35°	4×11	-	7.3	QYA15102-T51-I
	102	4	4×12, 3×11	8×14	35°	4×11	-	7.3	QYA15102-T51A-I
	115	4 1/2	6×14	8×14	35°	2×14	-	9.8	QY14115-T51-I
	115	4 1/2	6×14	8×16	35°	2×14	-	9.8	QY14115-T51A-I
	115	4 1/2	8×12	8×14	35°	2×14	-	9.8	QY16115-T51-I
	115	4 1/2	8×13	9×14	35°	3×12	-	9.8	QY17115-T51-I
	115	4 1/2	9×12	9×13	35°	3×12	-	9.8	QY18115-T51-I
	115	4 1/2	4×13, 2×13	8×14	35°	4×11	-	9.8	QYA14115-T51-I
	115	4 1/2	4×14, 2×14	8×16	35°	4×11	-	9.8	QYA14115-T51A-I
	115	4 1/2	4×13, 3×13	8×14	35°	4×10	-	9.8	QYA15115-T51B-I
	115	4 1/2	4×13, 4×11	8×14	35°	4×11	-	9.8	QYA16115-T51-I
	127	5	8×14	8×16	40°	2	-	12.5	QY16127-T51-I
127	5	4×14, 4×12	8×14	35°	4×10	1	12.0	QYA16127-T51A-I	
127	5	4×16, 2×13	8×16	35°	4×10	-	12.0	QYA14127-T51-I	

**SHANDONG TAISHAN ROCK TOOLS CO., LTD**

**Mr:Tom Sui**

**Tel: 0086-635-6515509**

**Fax:0086-635-6515678**

**Mobile: 013563026509**

**013863526509**

**export@rockdrillingtools.com**

**MSN:sui671100@hotmail.com**

**SKYPE:sui671100**

**Website:www.rockdrillingtools.com**

**www.china-rocktool.com**

**ADD: DongSong road #88, Yanggu ,Liaocheng city , Shandong province , China**

**Email:chinarocktool@163.com**

**rockdrillingtools@163.com**

**export@china-rocktool.com**